

COOLING TANK

AC 15



Supervac AC 15 – optimal cooling results.

Your benefits

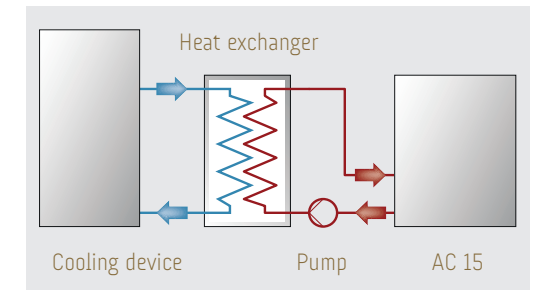
- ◆ Extends the shelf life of vacuum-packaged products after shrinking in a shrink tank or shrink tunnel by rapidly reducing the surface temperature of the products.
- ◆ Other advantages are: Eliminates any color changes due to shrinking in a tank or tunnel; energy saving with subsequent cooling processes in the cooling chain.
- ◆ Cooling water between 2° and 5° Celsius.
- ◆ Constructed of corrosion-resistant stainless steel.
- ◆ Hygienic design – easy and quick to clean.
- ◆ Service-friendly.
- ◆ Optimum cooling result through complete immersion of the packages.
- ◆ Automatic immersion can be switched off for packages that are not to be cooled.
- ◆ Temperature-controlled control box heating.

Standard equipment

- ◆ Suitable for connection to an external refrigeration device or a heat exchanger with min. 2°C.
- ◆ Automatically controlled water level.
- ◆ Automatic temperature control with digital ACTUAL and TARGET display.
- ◆ Adjustable immersion time and depth.
- ◆ Adjustable drip-off time.
- ◆ Stand-by function of the immersion platform: Automatic switch-off of the conveyor belt if no product is fed in.

Options

- ◆ Built-in Intralox infeed belt 600 mm.
- ◆ Control unit of infeed and outfeed belts can be integrated.
- ◆ External heat exchanger.
- ◆ Integrated heat exchanger.



Drawing for the connection of the system.

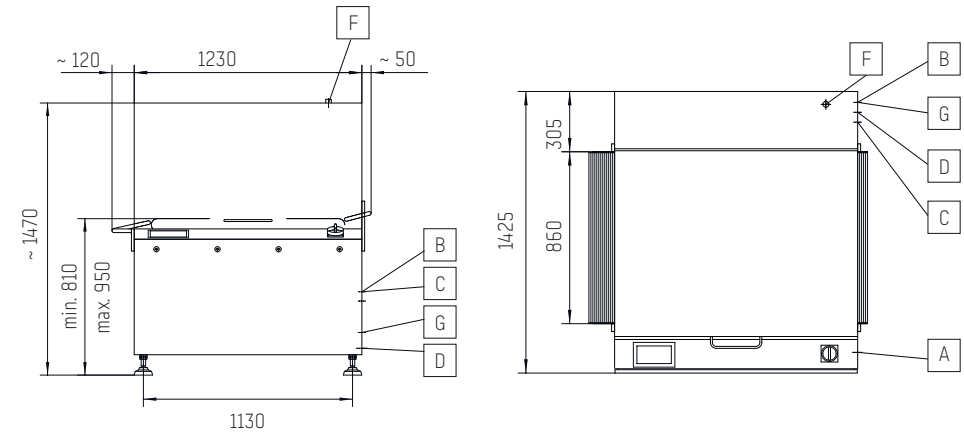


The immersion platform is freely accessible without having to drain the water. Lid and platform are folded up so that the **immersion basin** can be easily cleaned.



Technical data

Immersion cycles	up to 7 cycles/minute.
Area of the immersion platform	1040 x 860 mm
Max. throughput width	860 mm
Max. throughput height	300 mm
Basin volume	approx. 460 l
Belt speed	approx. 0.32 m/sec. 50 Hz; 0.38 m/sec. 60 Hz
Compressed air requirements	approx. 220 NLPM at 5 bar
Cooling water supply line minimum cross section	R1"
Circulation pump pressure	min. 0.5 bar / max. 3.0 bar
Circulation pump (not supplied)	150 l/min. - 300 l/min. (water)
Temperature	min. 2° Celsius (water)
Required cooling power	21 kW
Weight (without water filling)	approx. 580 kg



A Power supply	1 kW	D Water drain	R 5/4"
B Compressed air connection	R 3/8", Ø 12 mm 5 bar, 220 NLPM max. 10 bar	F Cooling device	R 1", max. 6 bar
C Water supply	R 1/2", max. 8 bar 2°C - 5°C	G Overflow/drain	R 3/4"



supervac 
FIRST CLASS PERFORMANCE

Supervac Maschinenbau GmbH
Kalterer Gasse 10
2340 Mödling | Austria

T: +43 2236 50 25 00

E-mail: office@supervac.at
Web: www.supervac.at